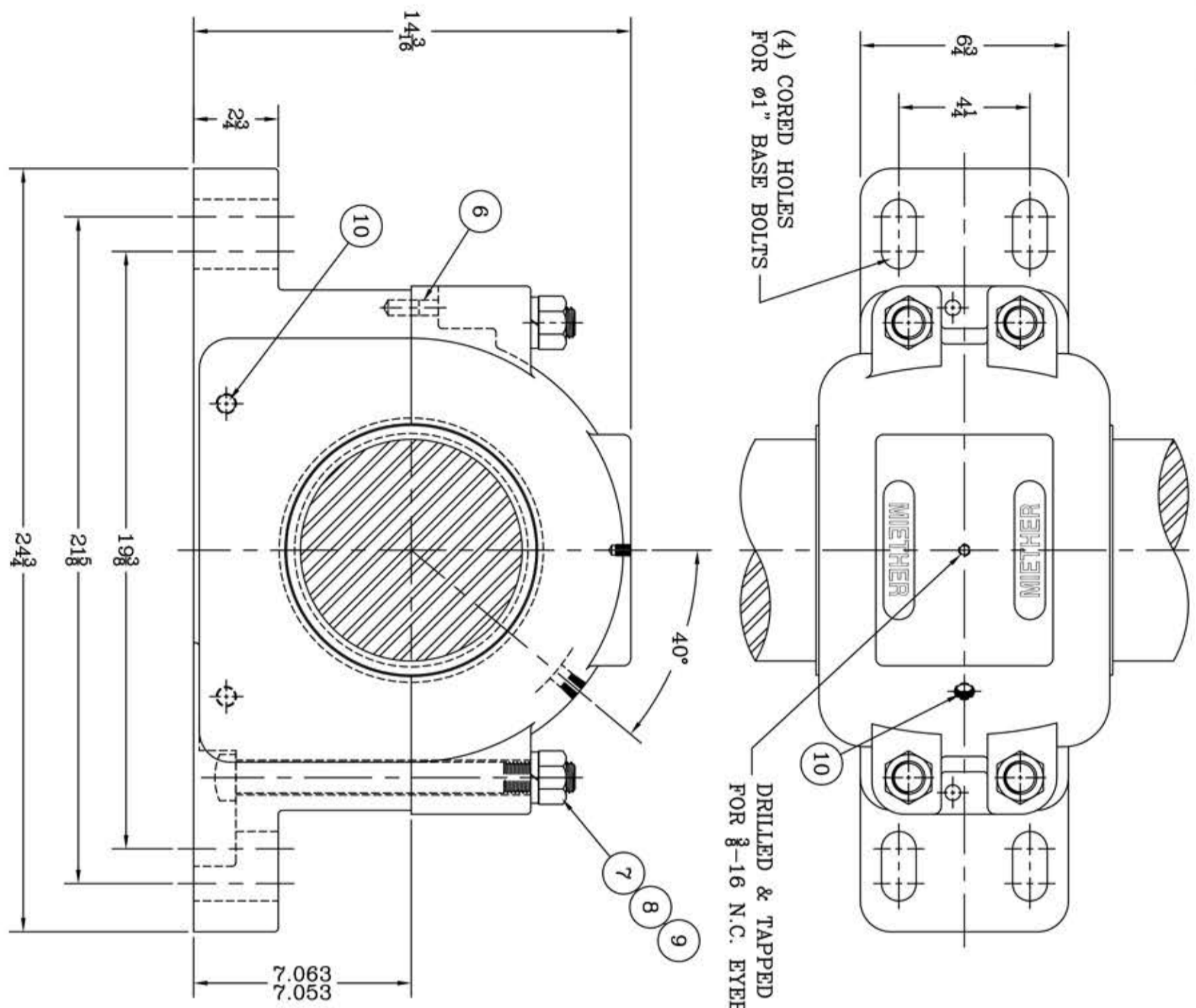
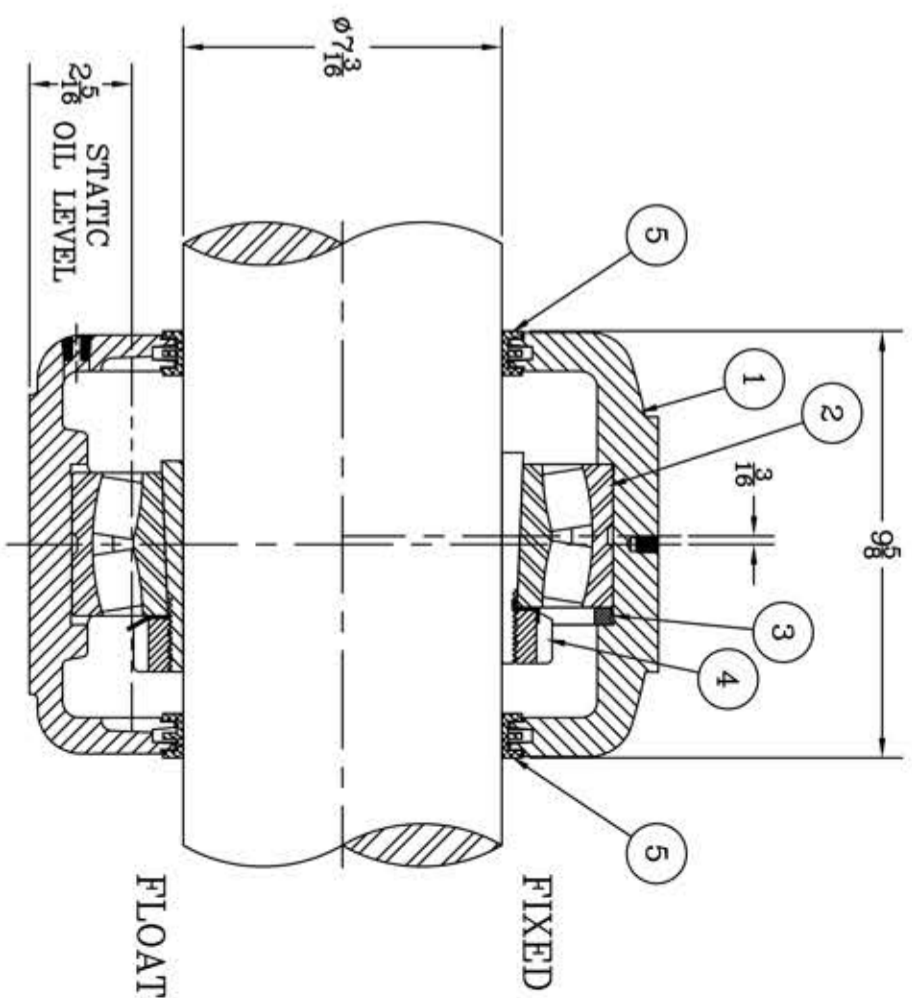


This drawing is the sole property of Miether Bearing Products and contains confidential and proprietary information. It is being provided to you for your use and may not be disclosed to any third party or used for any other purpose without Miether's prior written consent. The [materials] must be returned to the Company upon its demand. Your acceptance of these materials constitutes your acceptance of the foregoing terms.

C-35247



ITEM	DESCRIPTION	DETAIL	REQUIRED
1	HOUSING SAFD 040K 07-03	C-	1 1
2	SPHERICAL ROLLER BEARING	23040K/W-33	1 1
3	STABILIZING RING SR 34-0	A-10609	1 0
4	ADAPTER SNW 3040 07-03	24499	1 1
5	TRIPLE SEAL RING LER-159	A-10589	2 2
6	DOWEL	$\phi\frac{1}{2}$ x 1" LONG	2 2
7	CAP BOLT SQUARE HEAD GR.5	1-8 NC x 11" LONG	4 4
8	CAP BOLT HEX. NUT	1-8 NC	4 4
9	LOCKWASHER	1" SPLIT MED.	4 4
10	PIPE PLUG	$\frac{3}{8}$ -18 NPT	3 3



REVISIONS

SYMBOL	DESCRIPTION
C	
D	
E	
F	
G	
J	
K	

TOLERANCE: UNLESS OTHERWISE SPECIFIED  
 FRACTIONS  $\pm 1/32"$  ANGLES  $\pm 0^\circ 30'$   
 DECIMALS  $\pm .005"$  WELD  $\pm 1/16"$   
 CASTING  $\pm 1/16"$

A.I.S.I. STANDARD FINISHES

MICRO-INCH VALUE	16	32	63	125	250	500	1000
Symbol	C	D	E	F	G	J	K

AN ALCO INDUSTRIES COMPANY  
BEARING PRODUCTS  
ODESSA, TX. USA

SAFD 23040 K 07-03  
ASSEMBLY DRAWING

SCALE 1 = 3  
DRAWN PCF  
DATE 1/4/13  
CHK:

ASSEMBLY NO.  
DRAWING NO.  
C-35247